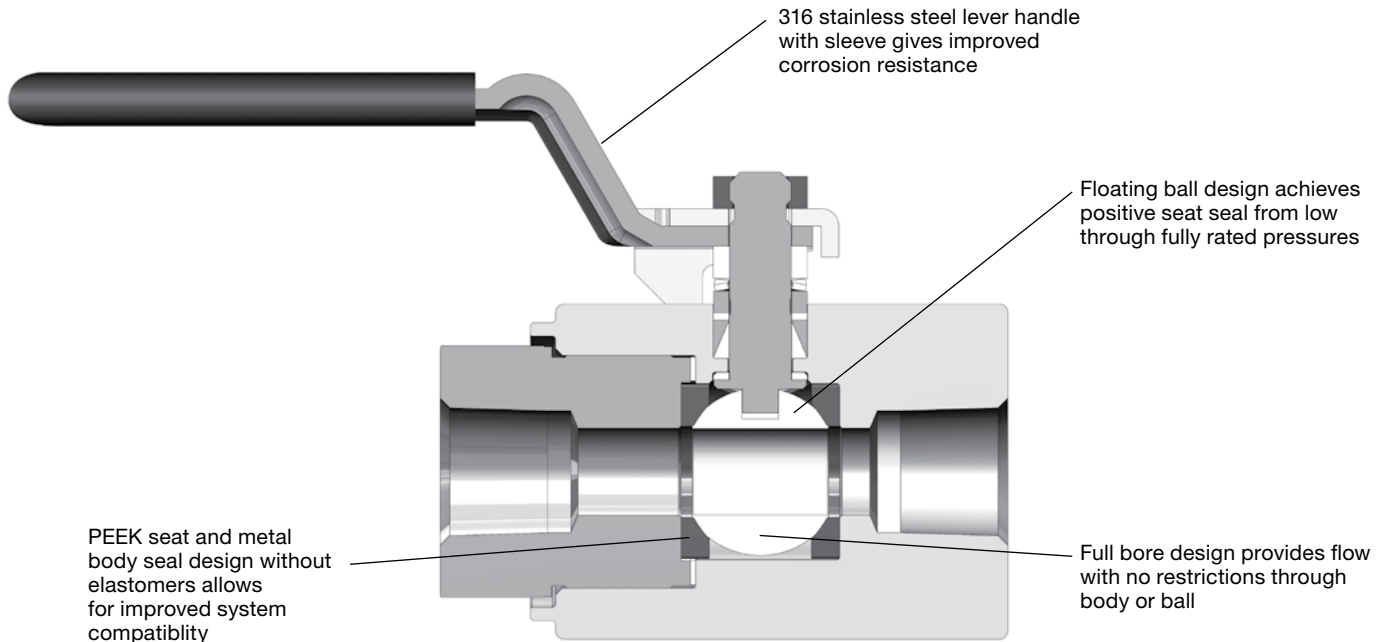
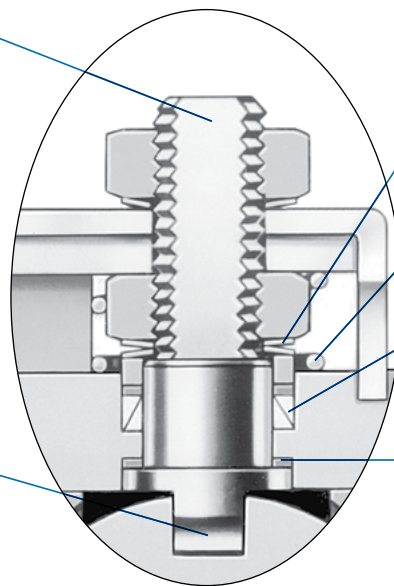




Swagelok GB Series General Service Ball Valve



Directional stem flats
show open or closed position



Stem springs
compensate for changes in pressure, temperature, and wear

Grounding spring
grounds stem to provide continuity for antistatic protection

Live-loaded, 2-piece chevron stem packing

- Requires less operating torque
- Improves performance
- Compensates for stem wear

Bottom-loaded stem

- Prevents stem blowout
- Enhances system safety

PEEK stem bearing

- Provides smooth actuation
- Eliminates galling between valve stem and body
- Resists wear

For more information on how your business can improve safety and achieve desired performance with GB series valves, contact your local sales and service center.