



# Swagelok®

## Grab Sampling Systems

# CONFIGURABLE. RELIABLE. SAFE.

Swagelok now offers standard and customized grab sample designs for your specific needs.

Swagelok is bringing new solutions to grab sampling.

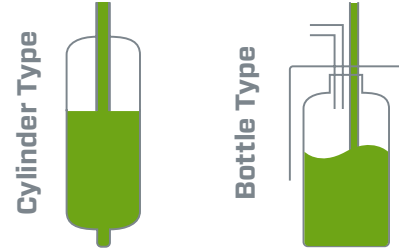


SWAGELOK

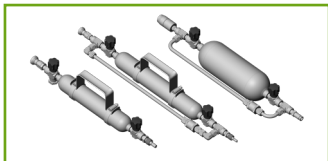
**CONFIGURABLE. RELIABLE. SAFE.**

If a configurable sampling system with local service and support is important to you, count on Swagelok to provide a reliable system that ensures safe, efficient sample capture.

## SWAGELOK OFFERS TWO CATEGORIES OF GRAB SAMPLING SYSTEMS:



The Swagelok grab sampling systems provide solutions to satisfy gas and liquid non-slurry sampling service in a consistent, reliable package. Two system types allow for capture into one of two types of containers — pressure-containing metal cylinders as found in the Grab Sample Module (GSM) or non-pressure-containing glass or polyethylene bottles as found in the Liquid Only Sampling Module (GSL).



A sample cylinder is required for every GSM system and should be ordered separately when purchasing a new GSM. Various configurations of sample cylinder assemblies, defined as Grab Sample Cylinders (GSC), are available.

### DID YOU KNOW?

A key feature of the GSM is the switching valve that directs flow. Using the Swagelok 40G series ball valve for this switching valve, the GSM is available in either 2- or 3- valve configurations. This allows for simultaneous control of fluid routing, reducing the number of sequencing steps required to draw a sample.

The likelihood of errant sampling is reduced and a clear indication of sequencing is provided to the operator. This valve assembly is a standard on all GSM panels as well as fixed volume GSL panels.



## SWAGELOK GRAB SAMPLING SYSTEM BENEFITS

- Local assembly and support
- One supplier for all the components
- Easy to install and operate
- Best practices integrated into standard designs
- A simple, effective way to safely collect samples
- Samples stay in their representative state for analysis
- Can be adapted to meet system requirements
- Assembled and tested by certified technicians
- Unparalleled expertise from Swagelok Grab Sampling Certified Engineers
- Backed by the Swagelok Limited Lifetime Warranty



## WE CAN:



### ASSESS

Does your sampling system provide you with a repeatable and representative sample, or are sampling challenges costing you time and money? Our team of trained and certified Custom Solutions technicians and engineers will work with you to evaluate your current sampling system and determine your needs.



### RECOMMEND

Ensuring your grab sampling system is suitable for your particular purpose is key. Temperature, pressure, phase, container type, materials of construction and where the panel will be installed are just a few of the criteria to consider in order to properly specify a grab sampling system.



### CONFIGURE

Using our standard panel designs as a platform, we can work with your team to:

- Substitute comparable Swagelok and non-Swagelok (non-competitive) products
- Add products within the existing schematics – sample coolers, flowmeters, shut-off valves, drain valves, etc.
- Make changes in layout including structural changes/additions – panel/bracket materials, enclosures, etc.
- Convert to larger/smaller tube size (or metric)
- Alternate materials of construction
- Adjust flow/pressure drop calculations (and make changes based on results)
- Change sizing of sample coolers/heaters and enclosure heaters (using vendors' applications engineering)



### ASSEMBLE

Our technician has undergone a comprehensive training and certification program that is repeated every three years to ensure your sample panel will be assembled to strict guidelines and to your specifications. Our Certified Engineer will monitor each step of the process to ensure quality and consistency.



### TRAIN

Swagelok is committed to helping you work safer and smarter. Upon completion of your grab sample panels, we can provide hands-on training to your technicians on proper use and maintenance.

## GRAB SAMPLE EVALUATION AND ADVISORY SERVICES

For an even more in-depth look, Swagelok Evaluation and Advisory Services offer an expert analysis of your grab sampling system. Our experienced experts will visit your facility, evaluate your systems and advise on enhancements that will improve your operations. We will identify ways to eliminate potential safety concerns, obtain more representative samples and improve the reliability of your grab sampling systems.



SWAGELOK GRAB SAMPLING SYSTEMS

**CONFIGURABLE. RELIABLE. SAFE.**

## Standard Designs

### GSL STANDARD DESIGNS

- Simple
- Simple with Purge
- Continuous Flow
- Continuous Flow with Purge
- Back-Purge
- Fixed Volume
- Fixed Volume Continuous Flow

### GSM STANDARD DESIGNS

- Standard Liquid Sampler without Purge
- Standard Liquid Sampler with Purge
- Standard Gas Sampler without Purge
- Standard Gas Sampler with Purge
- Continuous Flow Liquid Sampler without Purge
- Continuous Flow Liquid Sampler with Purge
- Continuous Flow Gas Sampler without Purge
- Continuous Flow Gas Sampler with Purge

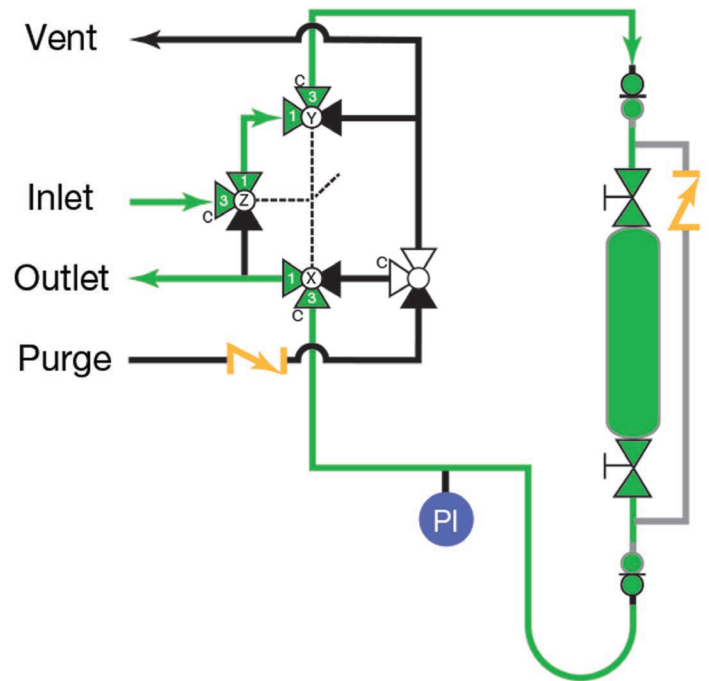


Illustration above shows Continuous Flow Gas Sampler with Purge

## LET US HELP YOU WITH YOUR GRAB SAMPLING SOLUTIONS

We can provide you with a wide variety of service solutions. Our quality, superior performance, and reliability will reduce your costs in designing, sourcing and assembling components.

Our Grab Sample System offerings carry the Swagelok Limited Lifetime Warranty.

#### Swagelok Singapore

28, Mandai Estate  
Singapore 729917  
(65) 63670688  
singapore.swagelok.com

#### Swagelok Philippines

Unit 2 Building 2 Oyster  
Industrial Complex  
NAIA Avenue corner  
Kabihasanan Road  
Paranaque City,  
1700 Philippines  
(632) 826.9811

#### Swagelok Brunei

Lot 7421 Block B  
No. 21 Jln Jaya Negara  
Kpg. Pandan Bangunan  
Pg. Hj. Ali Bersaudara  
Kuala Belait KA 1189  
Negara Brunei Darusalam  
(673) 333 6204